

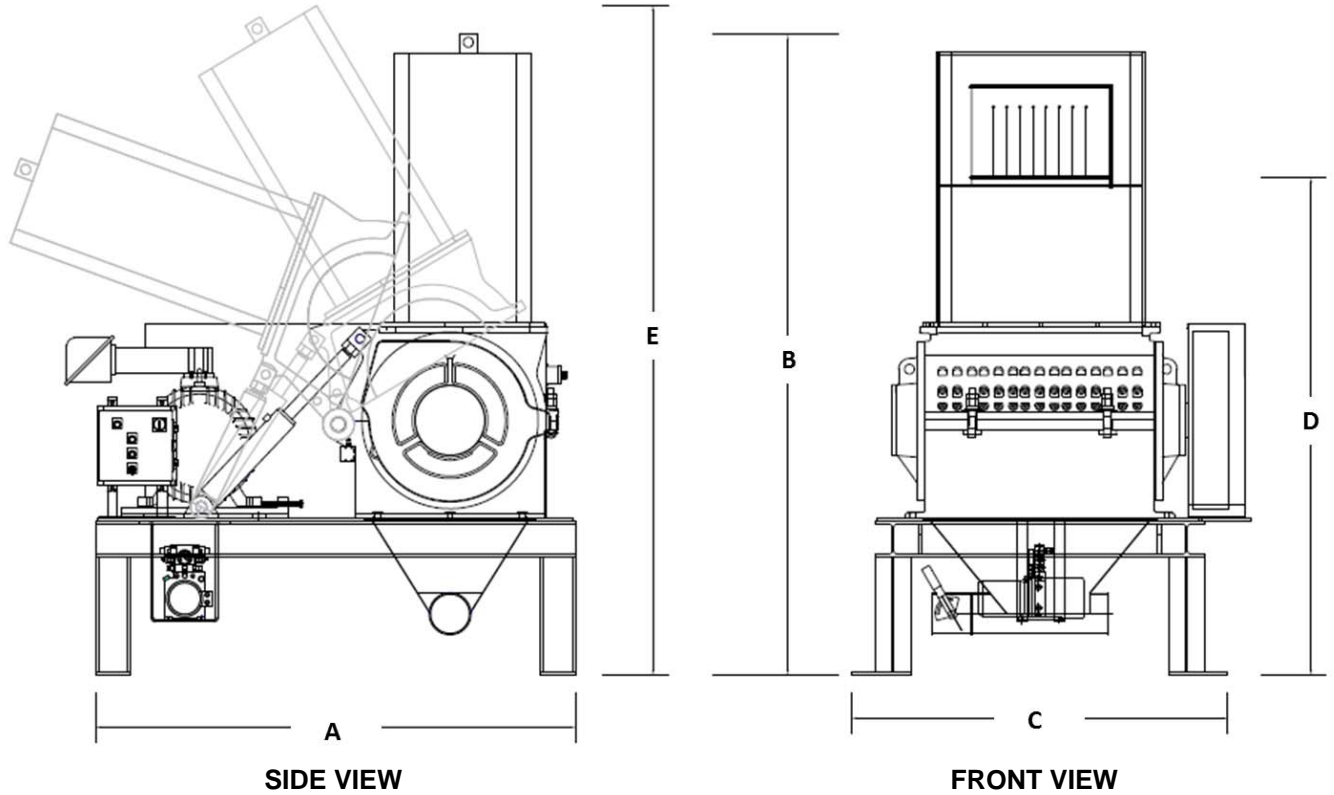


HOSOKAWA POLYMER SYSTEMS

63 Fuller Way, Berlin, CT 06037 · Tel. (860) 828-0541 · Fax (860) 829-1313

Alpine Rotoplex Granulator

Many models available: Two most popular shown



DIMENSIONS						
MODEL		A	B	C	D	E
50/80	in.	75	104	65	80	110
	(mm)	(1900)	(2640)	(1650)	(2032)	(2800)
63/100	in.	96	129	76	100	134
	(mm)	(2450)	(3264)	(1920)	(2537)	(3413)

SPECIFICATIONS			
MODEL		50/80	63/100
Throat Size at Chamber *	in (mm)	19.6 x 31.5 (500 x 800)	24.8 x 39.4 (630 x 1000)
Screen Area	in ² (cm ²)	342 (5600)	543 (8900)
Motor	HP (kw)	50-75-100 (37-56-75)	100-150-200 (75-112-149)
Drive	V-Belt	Sheave Flywheel	Sheave Flywheel
Cutting Circle (dia.)	in (mm)	19.7 (500)	24.8 (630)
Rotor Knives	number	5	6
Bed Knives	number	4	4
Weight	lbs (kgs)	9920 (4500)	15430 (7000)
Throughput**	lbs/hr (kgs/hr)	3300 (1500)	5510 (2500)

* Measured at entrance to chamber.

** Average figures, throughput varies with different materials and part shapes.