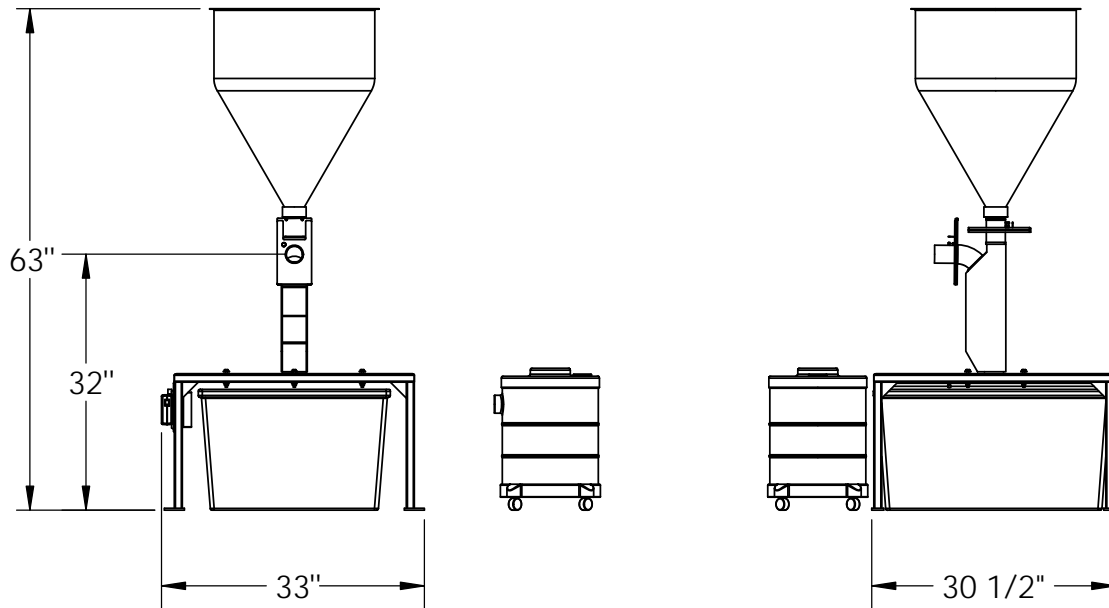




HOSOKAWA POLYMER SYSTEMS

63 Fuller Way, Berlin, CT 06037 · Tel. (860) 828-0541 · Fax (860) 829-1313

KSp Dedusting System



SPECIFICATIONS	
Capacity	350 lb/hr maximum
	200 lb/hr average
Hopper Capacity	2.75ft ³
Bin Capacity	6ft ³
Feed Size	1/4" or 6mm Preferred
Air Flow	Up to 75 CFM
Electrical	Two 120V plugs 10A & 0.5A

Note:

All specification are subject to change without notice.

All production rates & projections are good faith estimates.